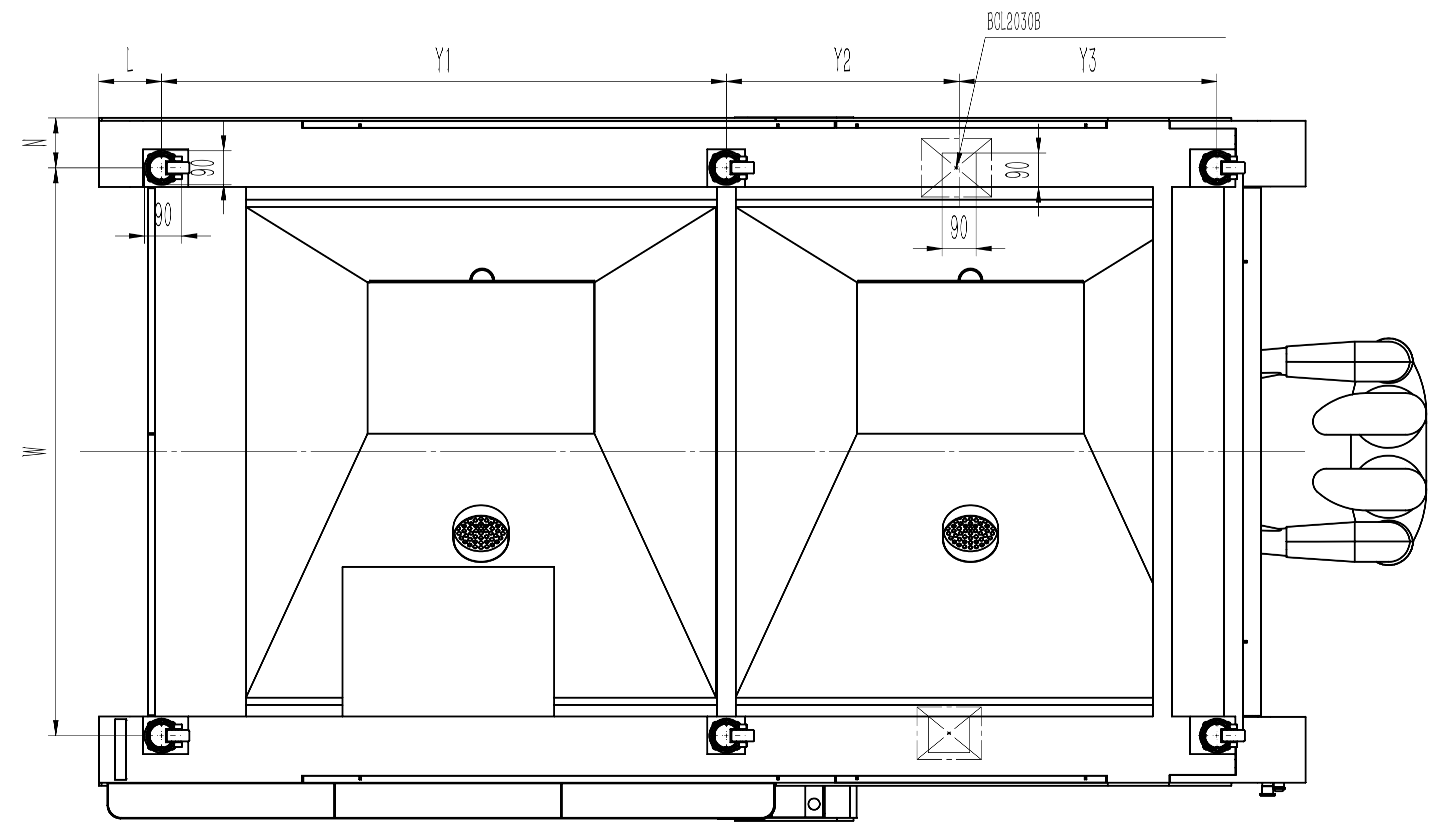
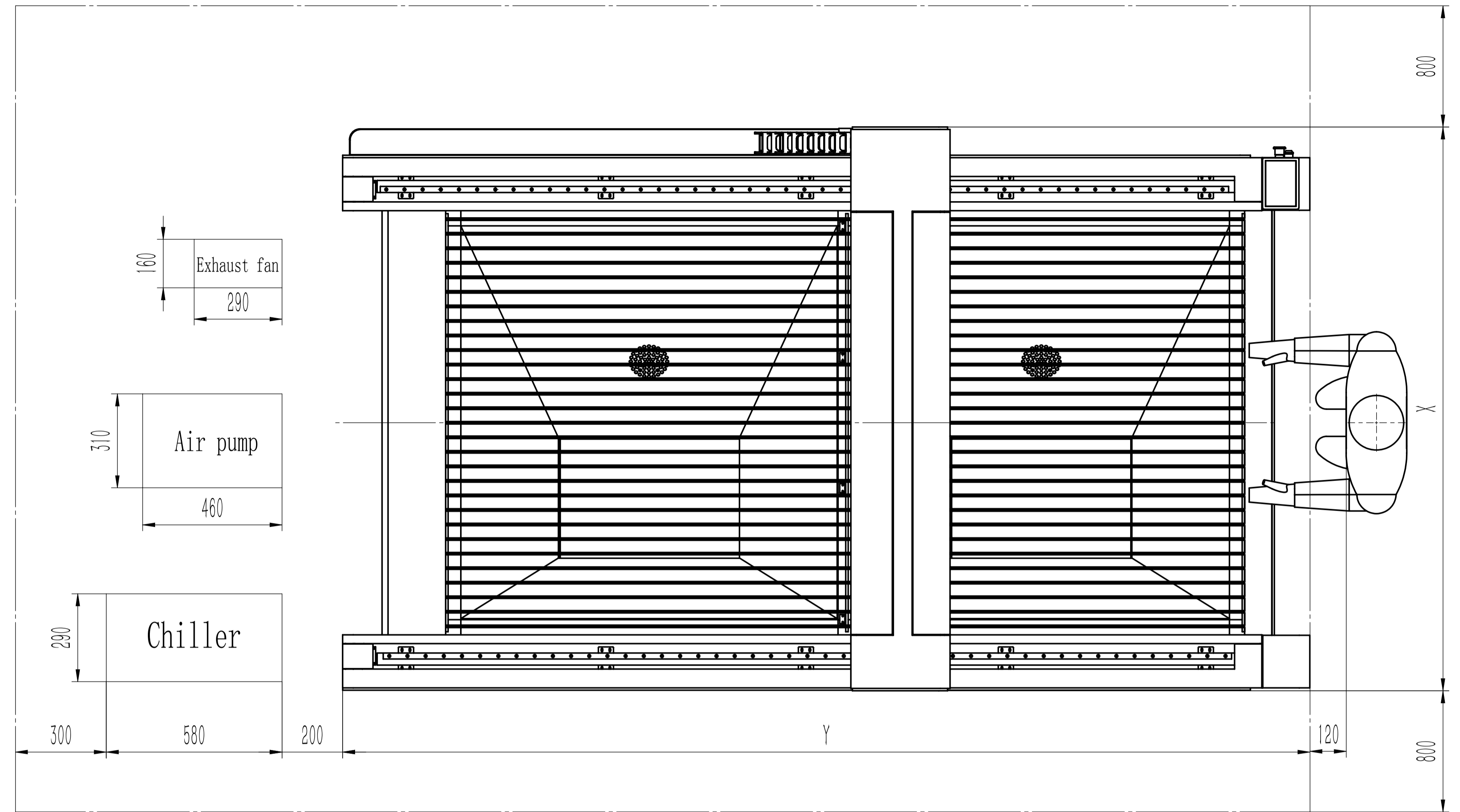
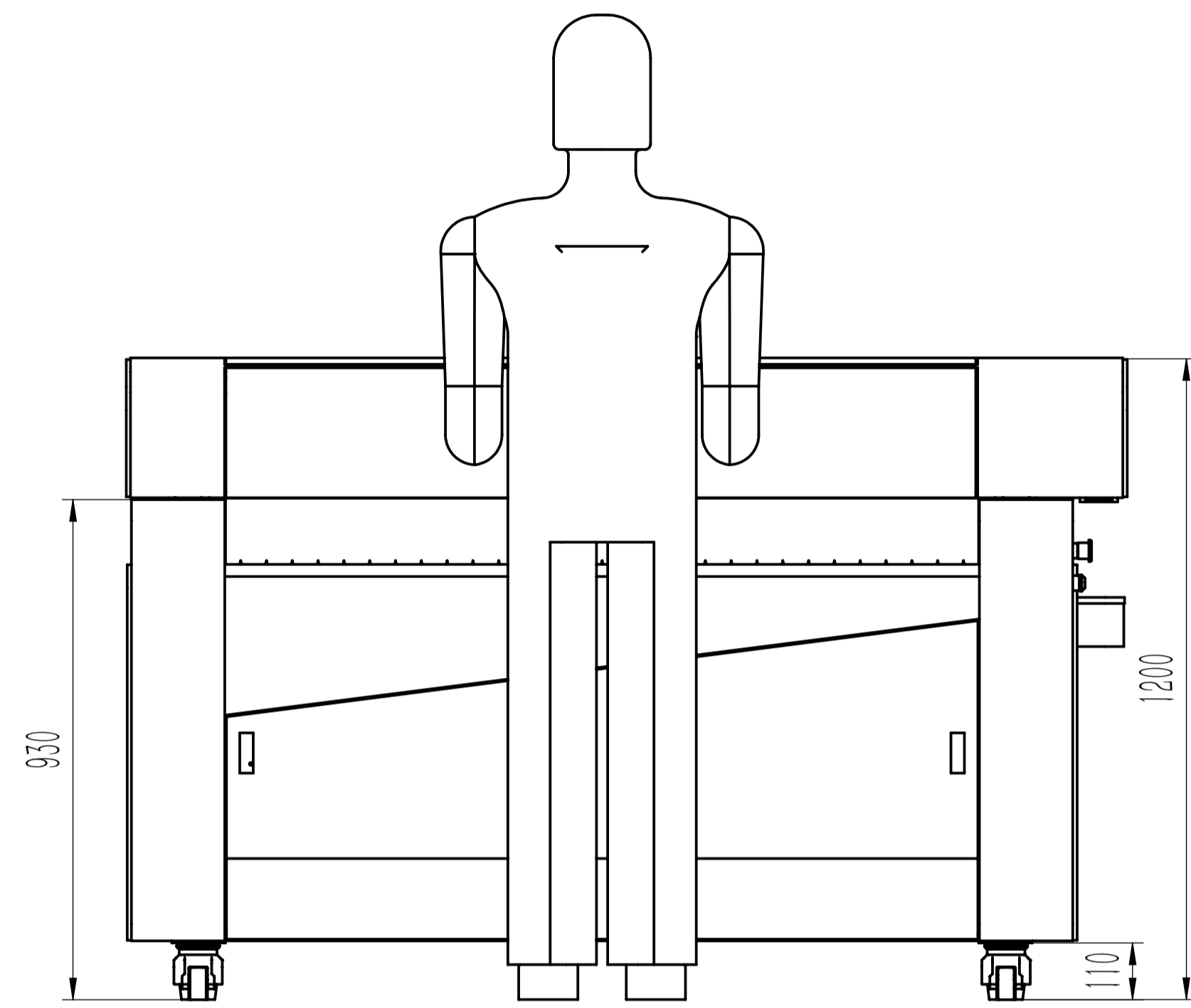


# B-SERIES LASER CUTTING BED LAYOUT



Model	X	Y	Y1	Y2	L	W	N	Y3
BCL1318B	1880	2500	950	800	230	1500	130	0
BCL1325B	1880	3200	1500	1400	165	1500	130	0
BCL1520B	2180	2700	2500	2500	230	1800	130	0
BCL1530B	2180	3700	1545	1545	360	1800	130	0
BCL1630B	2180	3700	1540	1555	360	1800	130	0
BCL2030B	2400	3700	1480	1440	330	2150	60	1370